

4

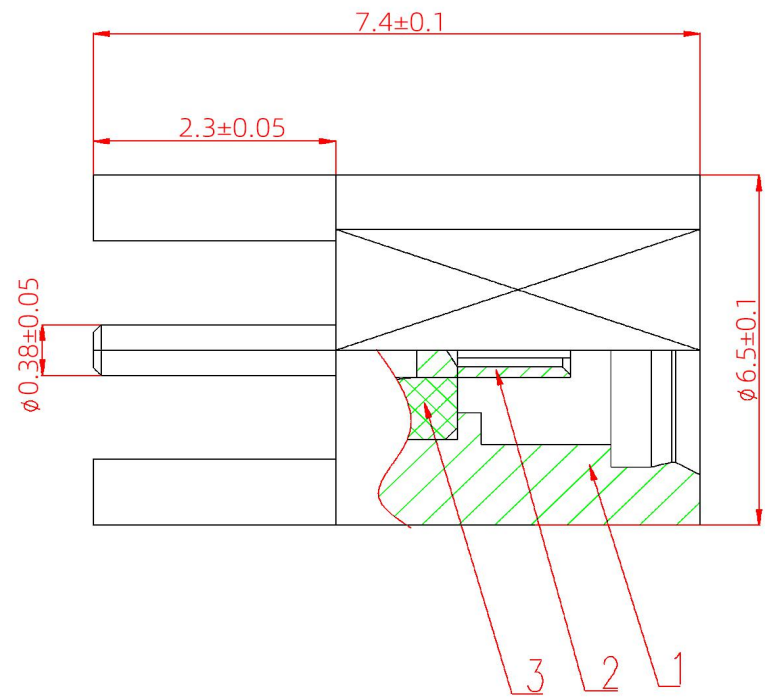
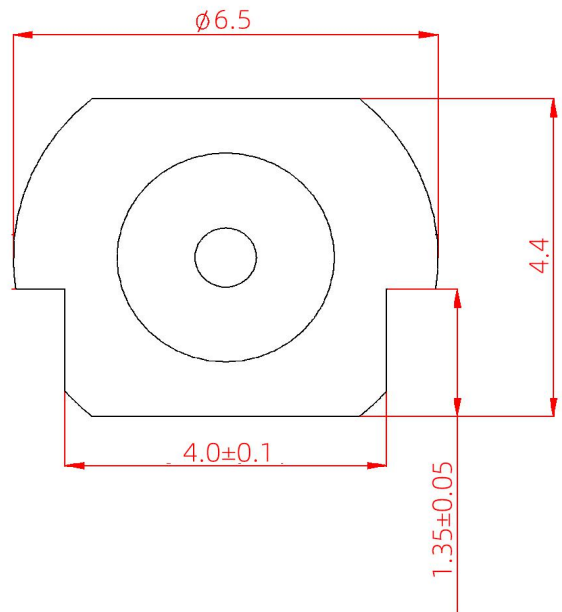
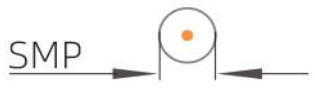
3

2

1

THIS DRAWING UNPUBLISHED.	RELEASED FOR PUBUCATION
---------------------------	-------------------------

LOC	DIST	REVISIONS					
---	---	P	LTR		DATE	DWN	APVD
			---	---	---	---	---



- NOTES:
- ELECTRICAL:
 - IMPEDANCE: 50Ω
 - INSULATION RESISTANCE: 5000M Ω
 - FREQUENCY RANGE: DC-6 GHz
 - DIELECTRIC WITHSTANDING VOLTAGE: 750V MAX AT SEA LEVEL
 - VSWR: ≤1.20:1
 - INSERTION LOSS: 0.25dB (MAX)

Accept custom sizes and styles

- ENVIRONMENTAL:
 - TEMPERATURE RANGE: -55° to +125°
- MATERIAL AND FINISH:
 - INNER CONDUCTOR MATERIAL: BERYLLIUM BRONZE GOLD PLATING
 - INSULATOR: PTFE
 - EXTERNAL CONDUCTOR MATERIAL: BRASS GOLD PLATING

THIS DRAWING IS A CONTROLLED DOCUMENT		21/10/2021
		CHK
DIMENSIONSMM	TOLERANCES UNLESS OTHERWISE SPECIFIED: ±0.1	APVD
	Note: Dimensions (mm / [inch])	APPLICATION SPEC
		WEIGHT

Shenzhen xinqiyuan Technology Co., Ltd.	
NAME	SMP Male RF Coaxial Connector Printed circuit board
SIZE	A4
CAGE CODE	01021
DRAWING NO	XQY-SMPJEF-TB

4

3

2

1

D

D

C

C

B

B

A

A